



- minimum space requirement
- Point-of-Use installations
- Efficient, low power consumption and constant performance

UVpro LED-WR reactor series has been specially developed for water disinfection of very small amounts. The advantages of the new LED technology: extremely low power losses and very small size. The units guarantee reliable disinfection with a constant UV output wherever previous units were mainly too large. Disinfection immediately before use minimizes the risk of recontamination through pipes or hoses. This extends the service life and increases efficiency through short reaction times.

Specifications

short description		UVpro LED-WR				
In conformity with requirements		EMV, CE, IP67				
Model Type		3B	6B	9C	12C	
Max. flow rate ¹ [lpm]	UV dose (mJ/cm ²)	10	1,2	2,0	5,3	8,0
		16	0,9	1,5	4,0	5,0
		40	0,25	0,5	1,75	2,25
Pressure loss at max. flow rate [mBar]		65	165	407	917	
Inlet/Outlet water connection		3/8" oder 11mm Male		3/8" oder 1/2" Male		
Weight [g]		77		162		
Max. pressure during operation ² [Bar]		8,3				
Life expectancy ³ [h]		up to 10 000 (75 % ±5% output performance)				
Max. ambient temperature [C°]		80				
Temperature of the liquid [C°]		0-50		0-45		
Electrical connection		4-core cable, 15cm length				
Voltage [Vdc]		12				
Input power [W]		2,5 - 4	5 - 8	7 - 11	9 - 14	

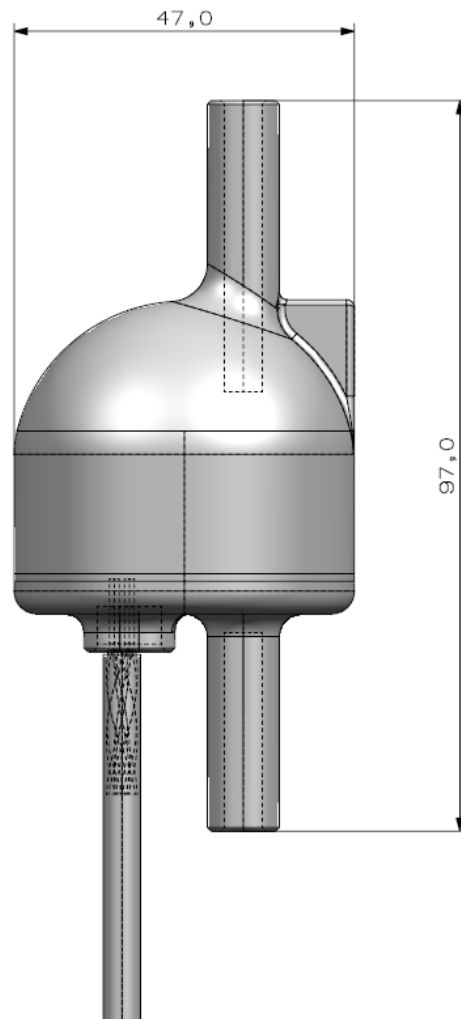
Technical changes reserved

¹ Independent laboratory bioassay using T1 phage and MS-2 phage at 98% UV transmission

² Independently tested at 2.4 times pressure (20 bar) at a temperature of 20 °C

³ This value may vary depending on the area of use and application

Dimensions Type B



Dimensions Type C

